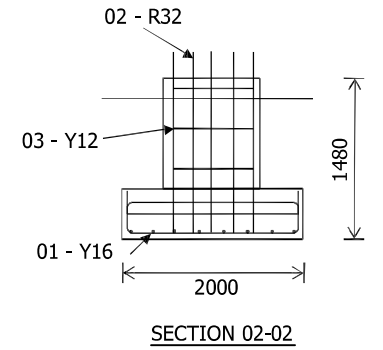
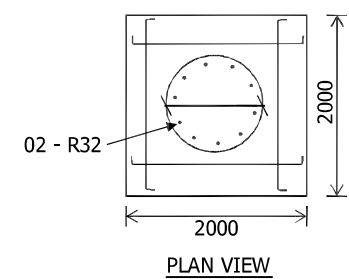
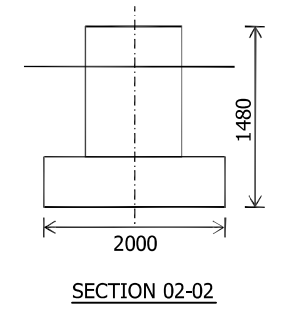
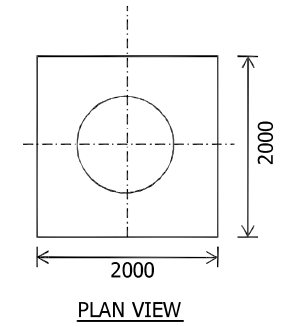


ANCHOR STUDS & MESH FOR PLINTHS CONSTRUCTION



MEMBER	NO	BARS PER MEMBER	DIA	LENGTH	TOTAL	MARK
30M MAST FOUNDATION	1	16	Y/16	2400	16	01
		10	R/32	1480	10	02
		3	Y/12	2200	3	03

MASINDE MULIRO UNIVERSITY OF SCIENCE AND TECHNOLOGY P. O BOX 190- 50100 KAKAMEGA	PROPOSED HIGH MAST LIGHTING AT MAIN CAMPUS		
	Drawing No:	MMUST/EST/HM-01/2022	
		Designed By:	Hilary Shikuba May 2022
		Drawn By:	Josephart Nawade May 2022
	Checked By:	Enock Odondi May 2022	